

**SUBJECT CODE NO:- P-251**  
**FACULTY OF ENGINEERING AND TECHNOLOGY**  
**B.E. (Civil) Examination May/June 2017**  
**Construction Management**  
**(Revised)**

[Time: Three Hours]

[Max.Marks:80]

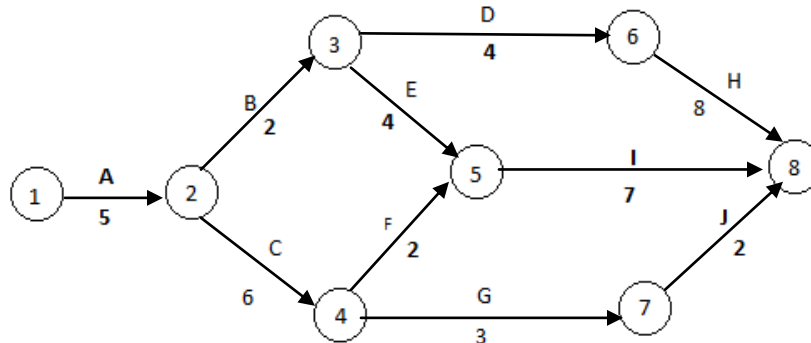
Please check whether you have got the right question paper.

N.B

- i) Solve any three questions from each section.
- ii) Assume suitable data wherever necessary.

Section A

- |     |      |  |    |
|-----|------|--|----|
| Q.1 | A    | Enlist the various qualities of a successful project manager.  | 07 |
|     | B    | Enlist the different phases in construction management and also write a short note on project implementation   | 06 |
| Q.2 | A    | Which are the various types of concreting equipment used in construction industry? Explain any one in detail.  | 07 |
|     | B    | Which equipment is used as earth cutting and handling equipments? Explain bulldozer in detail.   | 06 |
| Q.3 | A    | Differentiate between CPM and PERT.  | 07 |
|     | B    | Explain work breakdown structure for a house construction project in development network.  | 06 |
| Q.4 |      | Explain the rules for networks.  | 07 |
|     |      | Define the following terms (Any three)   | 06 |
|     | i.   | Critical path  |    |
|     | ii.  | Free float   |    |
|     | iii. | Slack  |    |
|     | iv.  | Standard deviation.  |    |
| Q.5 |      | A building project consists of 10 activities represented by network as shown in fig. normal duration required to perform the various activities are given below: | 14 |



- Calculate:
- I) EST, EFT, LST, LFT
  - II) Total float.
- Also determine the critical path.

Section B

- Q.6 A Explain the term Net present value. 07  
B Write a short note on 'payback period' and 'cash flow Diagrams'. 07
- Q.7 A Write your views about safety lacunae prevailing in Indian construction scenario and suggest the remedial measures for the purposes. 07  
B What is effective communication? How will you overcome from the barriers in effective communication? 06
- Q.8 A Explain in detail ABC analysis for inventory control 07  
B Write a note on material management with its objectives. 06
- Q.9 A What is the importance of written communication? 07  
B Explain man power management in construction industry. 06
- Q.10 A A construction company purchases 25000 bags of cement annually. Each bag of cement cost Rs 270/- and the cost incurred in processing each lot is Rs. 180/-the cost of carrying is 30%. What is the most EOQ? What is average inventory level? 07  
B State and explain different types of software are used in construction industry. 06